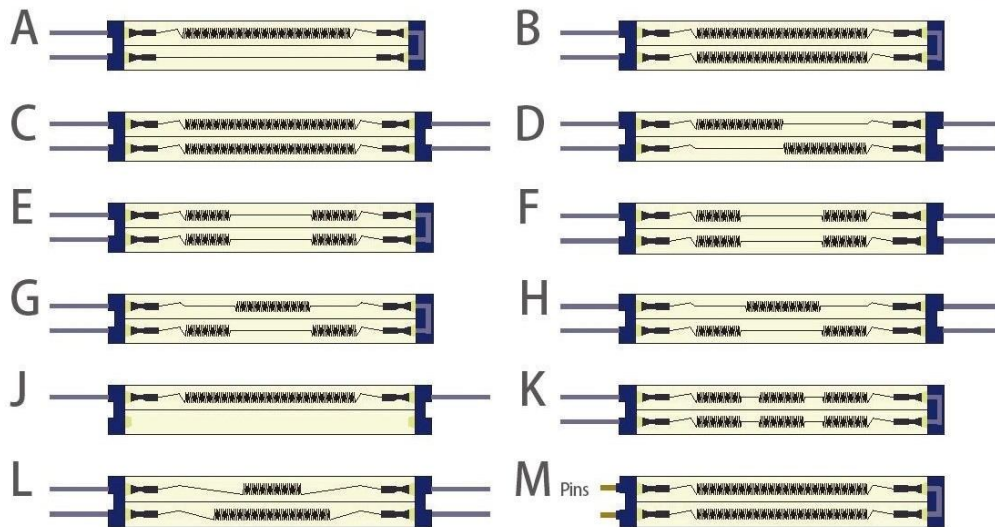
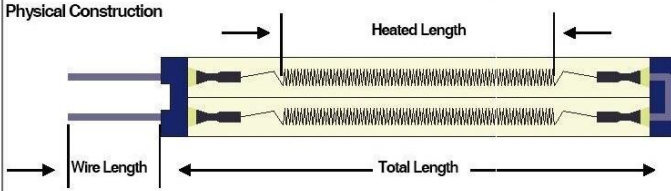


Boletim Técnico

Tema: BT-021 – Formulário para Especificação de Lâmpada IR tubo gêmeo



Physical Construction



DÚVIDAS
CONTATE
51.30653130

Machine Make / Model / Year: _____ / _____ / _____


Lamp Part Number or Description: _____ (Req.)

Lamp Type: _____ (Select From Above) Volts: _____ Watts: _____ Total Length: _____ mm

Heated Length: _____ mm Wire length, L: _____, R: _____ mm Wire Gauge: _____ AWG or mm

Filament Style: Tungsten (Silver) Carbon (Black)

Re flector Coating: None Gold White Re flector Design: None 180° 270°

Cross Section:  X= _____ mm Y= _____ mm Wavelength Style: Short Wave Medium Wave
 Fast Medium Wave Long Wave

Special Notes: _____

Vendas / Sales: Tel + 55 (51) 30653130
Administração / Administration: Tel + 55 (51) 3065 3100

e-mail: vendas@visioncure.com.br
e-mail: adm@visioncure.com.br

WWW.VISIONCURE.COM.BR

BT_021 ver 14/11/2016